

Post Top Lighting

YML-1PT34 Series

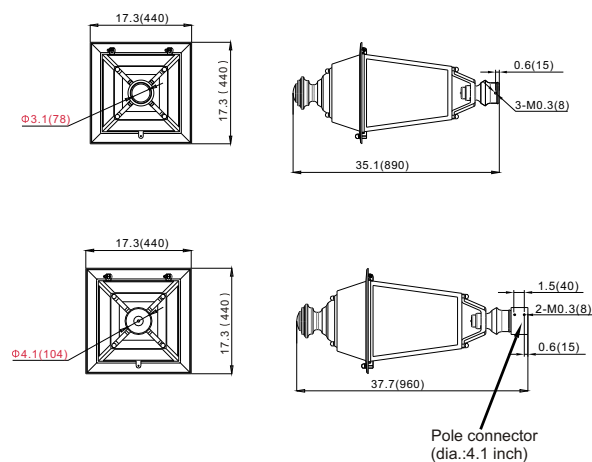


Applications

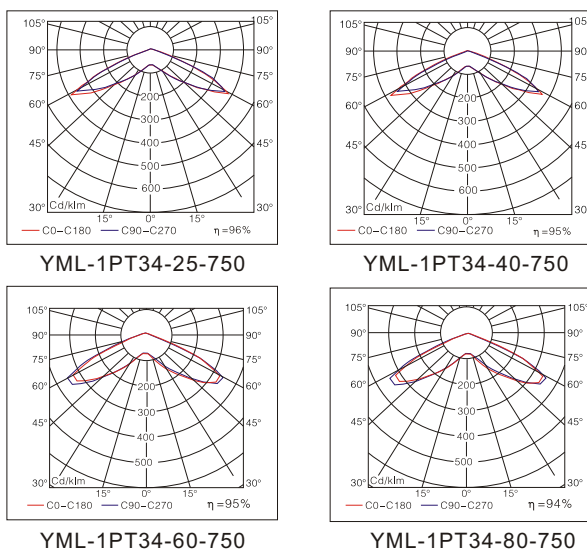
Parks, Shopping Malls, Courtyards, Historic Areas, etc.

- Efficiency of chips: 150-165 lm/w
- Structure: distinct design with retro appearance.
- LENS: high light transmittance PC lens with efficiency up to 93%-95%, anti-UV oxidation.
- Beam angle: Type V, 100°
- Lampshade: transparent PC, anti-UV
- Housing: die casting aluminum housing with excellent heat dissipation, surface treated
- with powder coated finish for corrosion and static resistance.
- Installation: pole mounting
- Input voltage: 120-277 VAC, 50/60 HZ
- IP class: IP65

Dimension [Inch(mm)]



Distribution Curve Flux



Ordering Information

Example: YML-1PT34-25-750-B-5-1

Company code	Voltage	Type	Power	Ra	Colour Temp.	Colour Options	Optic	Options
YML	1 120-277VAC	PT 34	25 (25W 2900Lumens)	7	27	B Black (standard) C Coffee S Silver	5 Type V 100 100	1 0-10V dimming 2 Timing dimming 3 Occupancy sensor (dimming control/ on off control) 4 Photocell 5 Wireless
			25P (25W 3700Lumens)	70	2700K			
	40 (40W 4400Lumens)		8	30				
	40P (40W 5600Lumens)		80	3000K				
	60 (60W 6750Lumens)		9	40				
	60P (60W 8200Lumens)		90	4000K				
	80 (80W 8400Lumens)			50				
	80P (80W 10800Lumens)			57				
	100 (100W 11600Lumens)			5700K				